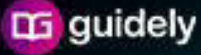


Square Seating arrangement for Bank Exam – Question Bank Set 2 (Eng)



ONE GOAL, ONE DREAM - MISSION SELECTION 2024

PREMIUM BUNDLE PDF COURSE 2024

Highlighting Segments

- Beginners Bundle Quiz Course
- Topic-Wise Bundle Course
- Exam-Wise Bundle PDF Course
- Section-Wise Bundle PDF Course
- Memory Based Questions Bundle Course
- Prelims Scoring Part Bundle Course
- Mains Booster Bundle Course
- Critical Reasoning Bundle Course
- Mains Two Mark Questions Bundle Course
- Daily Editorial Based English Questions PDF
- Special Quants Arithmetic Bundle Course
- Special DI & Caselet Bundle Course
- Special Puzzles & Seating Bundle Course
- 101 Version 2.0 New Pattern Puzzles & DI Questions
- Current Affairs Bundle PDF Course
- Static Banking & Static GK Bundle Course
- Computer Awareness Bundle Course

***Special Offer For PRIME Users**

One Time Offer Ends Soon - Hurry!!!

GRAB IT NOW

[Click Here For Bundle PDF Course](#)

[Click Here to Subscribe Our Yearly Mock Test Package](#)

Square Seating arrangement for Bank Exam – Question Bank Set 2 (Eng)

Directions (1-5): Study the following information carefully and answer the below questions

Eight persons- L, M, N, O, P, Q, R, and S are sitting at the square table such that four of them sit at the corner and four of them sit in the middle of the table. All are facing the centre. All the information is not necessarily in the same order.

The consecutive alphabetical names of the persons are not sitting together.

P sits third to the left of the one who sits second to the right of L. P sits corner of the table. Only one person sits between L and N. R and N are immediate neighbours. The number of persons sits between L and R is the same as the number of persons sit between P and O. Only one person sits between M and S.

1) What is the position of N with respect to S?

- A. Immediate left
- B. Immediate right
- C. Third to the left
- D. Third to the right
- E. Second to the left

2) Who among the following persons sits opposite to each other?

- I. RS
 - II. MP
 - III. OQ
 - IV. NL
- A. Only II and III
 - B. Only I and II
 - C. Only III and IV

D. Only I and III

E. Only I and IV

3) How many persons are sitting between O and Q when counted to the left of O?

- A. As many persons sit between S and R
- B. Two
- C. One
- D. Four
- E. As many persons sit between R and N when counted to the right of R

4) Who among the following person sits third to the left of M?

- A. The one who sits second to the right of R
- B. The one who sits immediate right of P
- C. N
- D. The one who sits second to the left of O
- E. O

5) Which of the following statement is true?

- A. Only two persons sit between O and S when counted to the right of O.
- B. M sits opposite to S
- C. N sits second to the left of O
- D. L and S are immediate neighbours
- E. All are true

Directions (6-10): Study the following information carefully and answer the below questions

Eight persons- Hari, Raju, Kani, Malar, Ashu, Bala, Jothi, and Siva are sitting on the square

Square Seating arrangement for Bank Exam – Question Bank Set 2 (Eng)

table facing outside. Four of them are sitting at each corner and four of them are sitting at each sides of the table at an equal distance. All the information is not necessarily in the same order. Siva sits third to the left of the Jothi. One person sits between Jothi and Kani. The one who sits opposite Kani sits adjacent to Hari. Hari sits at the corner of the table. Malar sits immediately right of the one who sits second to the right of Raju.

Malar doesn't sit at the corner. Raju sits third to the right of Bala. Ashu neither sits adjacent to Bala nor Raju. Number of persons who sits between malar and Ashu is same as between Hari and Jothi

6) Who among the following person sits third to the left Ashu?

- A. Hari
- B. The one who sits immediate right of Bala
- C. Raju
- D. The one who sits second to the left of Kani
- E. None of these

7) Who among the following person sits exactly between Jothi and Bala when counted from the right of Bala?

- A. The one who sits second to the right of Siva
- B. Raju
- C. The one who sits immediate right of Ashu
- D. Kani
- E. None of the above

8) How many persons are sitting between Kani and Siva?

- A. One
- B. Two
- C. Three
- D. Four
- E. Either b or d

9) Which of the following statement is true?

- I. Only one person sits between Bala and Malar when counting from the left of Bala
 - II. Ashu sits at the corner of the table
 - III. Raju and Hari are immediate neighbors
- A. Only II
 - B. Only I and II
 - C. Only III
 - D. All I, II, and III
 - E. None of these

10) Four of the following five are alike in a certain way thus forms a group. Find the odd one which does not belong to the group?

- A. The one who sits immediate right of Malar
- B. The one who sits second to the left of Ashu
- C. Ashu
- D. The one who sits second to the right of Bala
- E. Hari

Square Seating arrangement for Bank Exam – Question Bank Set 2 (Eng)

ANSWER WITH EXPLANATION

Directions (1-5):

1) Answer: C

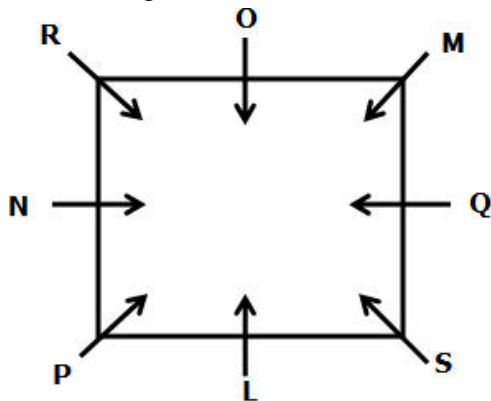
2) Answer: B

3) Answer: C

4) Answer: B

5) Answer: D

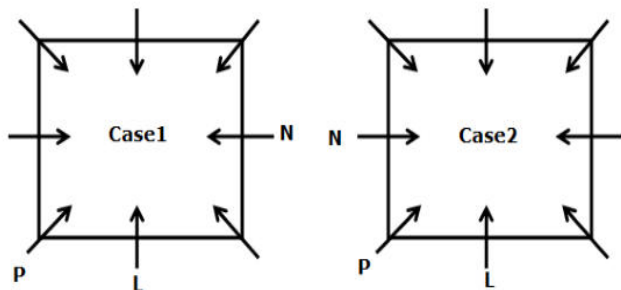
Final Arrangement



We have,

- P sits third to the left of the one who sits second to the right of L.
- P sits corner of the table.
- Only one person sits between L and N.

From the above condition, there are two possibilities.

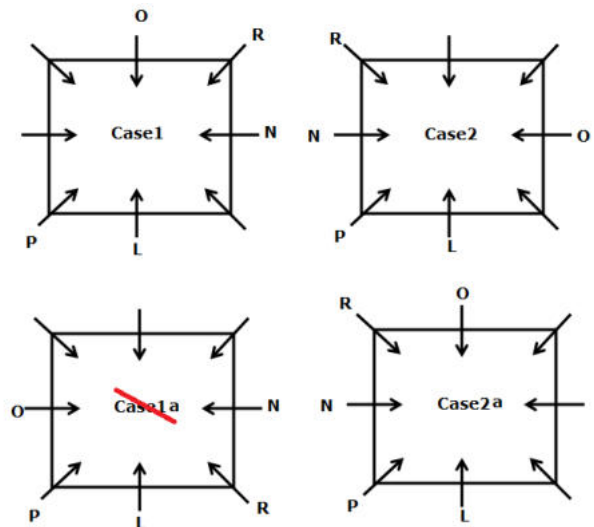


Again we have,

- R and N are immediate neighbours.

- The number of persons sit between L and R is the same as the number of persons sit between P and O.

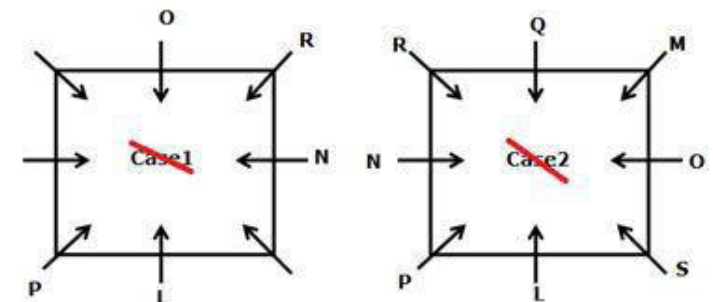
From the above condition, there are three possibilities.



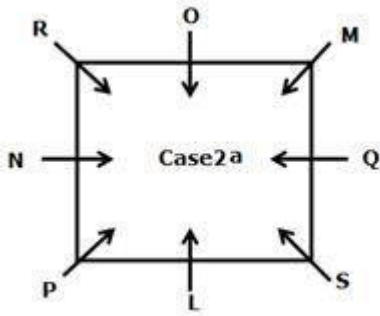
Again we have,

- Only one person sits between M and S.

From the above condition, case1 and case2 get eliminated. case2a shows the final Arrangement.



Square Seating arrangement for Bank Exam – Question Bank Set 2 (Eng)



Directions (6-10):

6) Answer: D

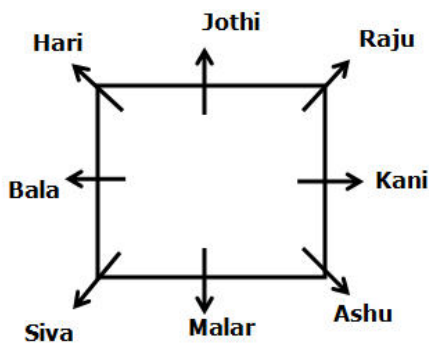
7) Answer: A

8) Answer: E

9) Answer: B

10) Answer: D

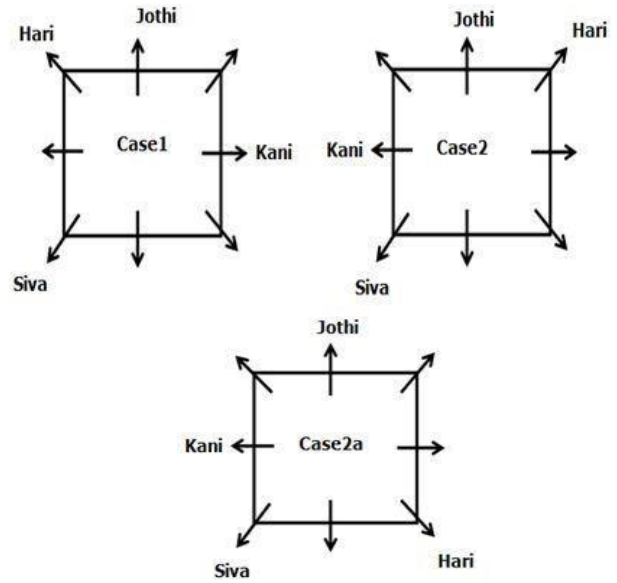
Final arrangement



We have,

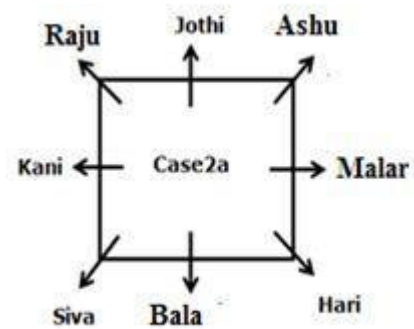
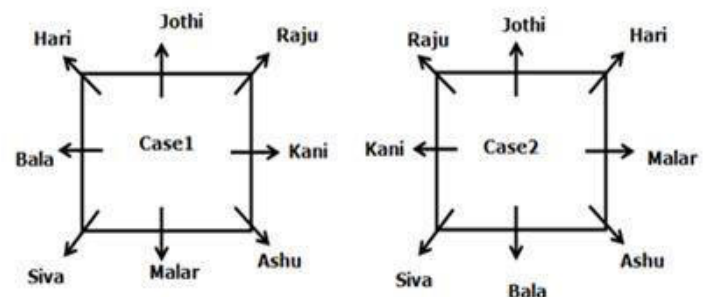
- Siva sits third to the left of the Jothi.
- One person sits between Jothi and Kani.
- The one who sits opposite Kani sits adjacent to Hari.
- Hari sits at the corner of the table.

From the above condition, there are three possibilities.



Again we have,

- Malar sits immediately right of the one who sits second to the right of Raju. Malar doesn't sit at the corner.
- Raju sits third to the right of Bala.

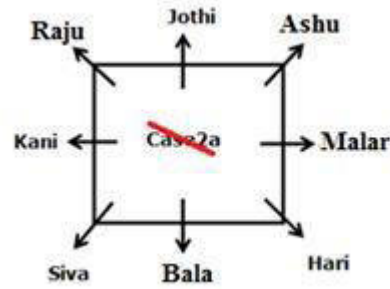
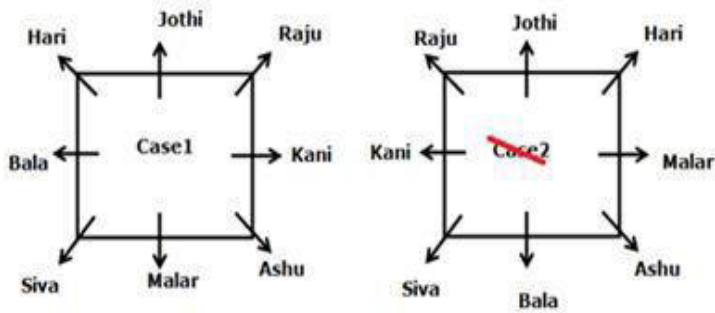


Again we have,

Square Seating arrangement for Bank Exam – Question Bank Set 2 (Eng)

- Ashu neither sits adjacent to Bala nor Raju. Number of persons who sits between malar and Ashu is same as between Hari and Jothi

From the above condition case2 and case2a get eliminated. case1 shows the final arrangement.



[Click Here For Bank Exam Free PDF](#)

[Click Here For Reasoning Free PDF](#)

[Click Here For Quantitative Aptitude Free PDF](#)

[Click Here For English Free PDF](#)